

- Brass Manifold
- Heat Treated Crankshaft
- Stainless Steel Piston Guides
- High Strength Aluminum Alloy Connecting Rods
- Industrial Quality Bearings
- Solid Ceramic Plungers
- Stainless Steel Check Valves
- Heavy Duty Flat Base High Pressure Seals
- 11.5 oz. Capacity Vented Oil Bath Crank Case
- 1/2" BSP-F Inlet. 3/8" BSP-F Outlet
- Max Fluid Temp, 160°F

AC Series 24mm Keyed Solid Shaft Plunger Pumps

AD Series standard duty plunger pumps include a wide range of models with flow rates from 2.5 to 4.0 GPM and pressures up to 2900 PSI.

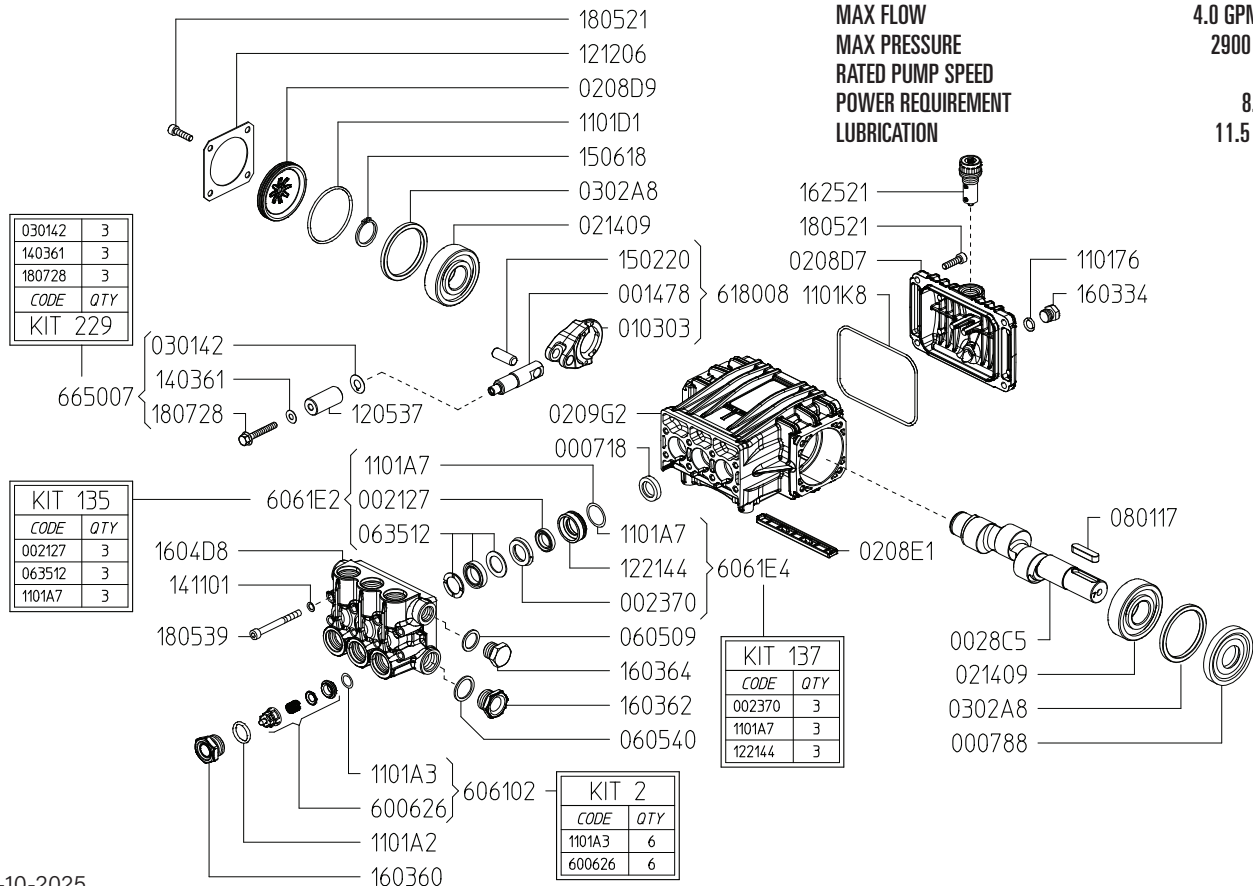
Other drive options include electric motor flange, gas engine flange and hydraulic motor flange.

Applications include general pressure cleaning, sewer jetting, vehicle wash equipment and fire fighting applications.

	Model	Flow		Pressure		Plunger Dia.	Crankshaft		Power	Seal Kit	Valve Kit	Wt.
		GPM	l/min	PSI	bar		Stroke	Code				
1750 RPM	AD 2.5/30 S	2.5	9.5	2900	200	15mm	10.5mm	O	4.8 EBHP	6061.B2	6061.02	14.3 lbs
	AD 3.0/30 S	3.0	11.4	2900	200	15mm	14.0mm	7	6.3 EBHP	6061.28	6061.02	14.3 lbs
	AD 3.5/30 S	3.5	13.2	2900	200	18mm	10.5mm	O	6.8 EBHP	6061.E2	6061.02	14.3 lbs
	AD 4.0/30 S	4.0	15.0	2900	200	18mm	12.5mm	S	8.4 EBHP	6061.E2	6061.02	14.3 lbs

NOTE: All pump models available with left-hand drive option. Add 'L' to model number when ordering (ex. BC 13/20 SL)

4.0 GPM / 15.0 L/MIN
2900 PSI / 200 BAR
1750 RPM
8.4 HP ELECTRIC
11.5 OZ UDOR LUBE



Revised 3-10-2025

Part #	Description	Qty	Part #	Description	Qty
0007.18	OIL SEAL	3	1212.06	RETAINER - SIGHT GLASS	1
0007.88	OIL SEAL	1	1221.44	PRESSURE RING ^C	3
0014.78	PLUNGER GUIDE	3	1403.61	WASHER ^D	3
0021.27	WATER SEAL LP ^B	3	1411.01	SERRATED WASHER	8
0023.70	UPPER RING ^C	3	1502.20	PIN	3
0028.C5	CRANKSHAFT - 24MM SOLID KEYED	1	1506.18	SNAP RING	1
0103.03	CONNECTING ROD	3	1603.34	DRAIN PLUG	1
0208.D7	BACK COVER	1	1603.60	VALVE CAP	6
0208.D9	OIL SIGHT GLASS	1	1603.62	PLUG	1
0209.G2	CRANKCASE	1	1603.64	PLUG	1
0214.09	BALL BEARING	2	1604.D8	HEAD	1
0301.42	SLINGER RING ^D	3	1625.21	OIL PLUG - G3/8	1
0302.A8	SPACER	1	1805.21	ALLEN BOLT	4
0302.A8	SPACER	1	1805.21	ALLEN BOLT	4
0605.09	GASKET	1	1805.39	ALLEN BOLT	8
0605.40	GASKET	1	1807.28	PLUNGER BOLT ^D	3
0635.12	HIGH PRESSURE SEAL KIT, D18 ^B	3	6006.26	VALVE ASS'Y W/O O-RING ^A	6
0801.07	KEY	1	6180.08	CONNECTING ROD ASSEMBLY	3
1101.76	O-RING	1	6061.02	VALVE KIT (KIT 2)	1
1101.A2	O-RING - VALVE CAP	6	6061.E2	WATER SEAL KIT (KIT 135)	1
1101.A3	O-RING - VALVE ^A	6	6061.E4	BRASS RING KIT (KIT 137)	1
1101.A7	O-RING ^{B,C}	3	6650.07	PLUNGER BOLT KIT (KIT 229)	1
1101.D1	O-RING - OIL SIGHT GLASS	1			
1101.K8	O-RING - BACK COVER	1			
1205.37	CERAMIC PLUNGER, D18	3			

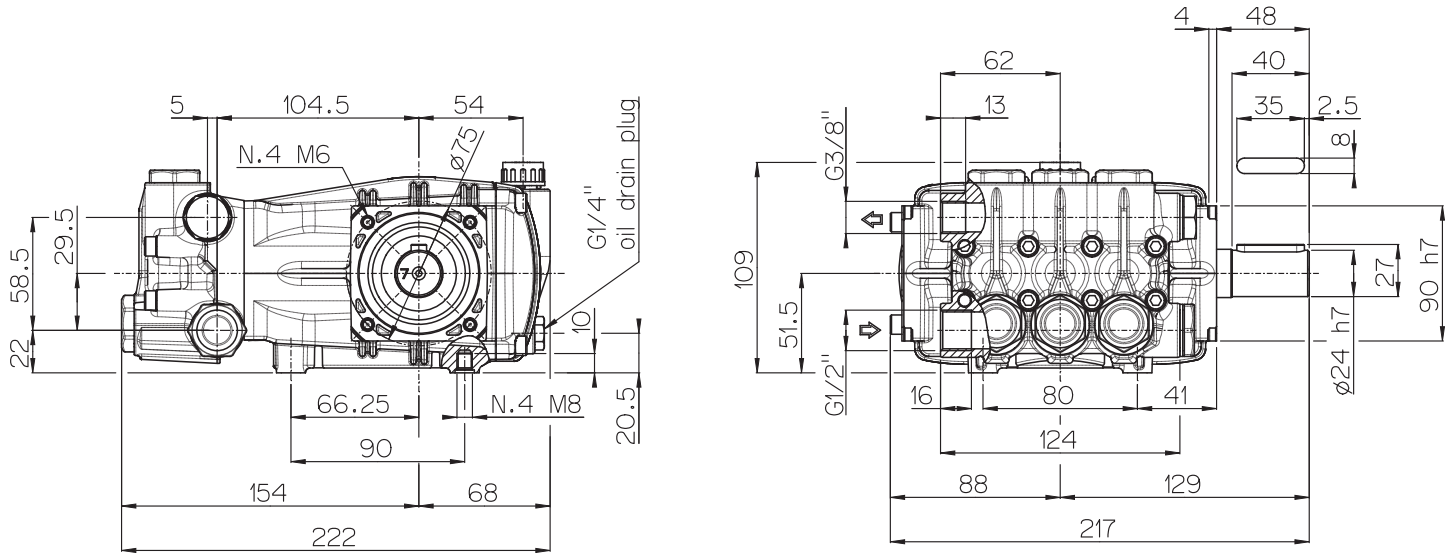
^A Parts in 6061.02 (Kit 2).
^B Parts in 6061.E2 (Kit 135).
^C Parts in 6061.E4 (Kit 137).
^D Parts in 6650.07 (Kit 229).

WEIGHT
LUBRICATION

14.3 LBS
11.5 OZ UDOR LUBE

*Dimensional Drawings are
Shown in Millimeters.
To Convert to Inches,
Multiply Dimension x 0.03937*

A SERIES PUMPS - 24MM SOLID SHAFT



TORQUE SPECS

Ref.	Description	Ft./lb.	Nm	Loctite®
1	Head Bolts	19	25	-
2	Valve Caps	75	100	243
3	Inlet Cap	75	100	243
4	Outlet Cap	60	80	243
5	Bearing Flange Bolts	19	25	-
6	Rear Cover Bolts	19	25	-
7	Connecting Rod Bolts	9	11	243
8	Plunger Bolts	11	15	270
9	Valve Cover Bolts	-	-	-
10	Oil Drain Plug	19	25	-

